

ADC AD-170

170-lb Capacity OPL Dryer

Standard Features:

- 170-lb. capacity
- 51.20 cu. ft. basket volume
- 550,000 Btu/hr heat input, 3,700 cfm airflow
- Radial airflow
- Self-diagnostic microprocessor with patented auto-drying feature
- Steel door with gasketless glass
- Reversing basket is standard
- Available in gas, steam and electric heat

Optional Features:

- Stainless steel front, cabinet & basket
- S.A.F.E. (Sensor Activated Fire Extinguishing System)



AD-170 OPL Dryer

Why Purchase ADC AD-170?

Engineer-Driven Design That is Built to Last

Our dryers showcase ADC's engineer-driven approach to design. Bearings are permanently lubricated on the motor and drive system. There are no chains used at ADC; rather, we use V-belts and pulleys for smooth, quiet, and trouble-free operation. Our dryer cabinets are electrostatically powder-painted inside and out, then baked at 420-degrees fahrenheit before final assembly—ensuring the hardest surface and the longest-lasting finish in the industry.

Rugged Steel Door with Gasketless Door Glass

Our dryer doors are one solid piece of steel with gasketless glass. This eliminates the issue of glass falling out due to wear and tear on rubber gaskets that some manufacturers use to secure their glass. The security and durability that gasketless glass provides is essential to a successful laundromat operation.

Easy-to-Read, Multilingual Controls

We were the first to bring computer-operated dryers to the market and today we continue to be a leader in applying technology to dryer operation. Our years of experience along with our accessible design, easy-to-read LED screens and our user-friendly multilingual interface positions ADC as the pioneer in the laundry industry.

Your local ADC independent authorized distributor



ADC AD-170

AD-170 Specifications

Tumbler Capacity (Dry Weight)	170 lbs. (77.11 kg)		
Tumbler Diameter	51-1/2" (130.81 cm)		
Tumbler Depth	42-1/2" (107.95 cm)		
Tumbler Volume	51.20 cu ft (1,449.82 L)		
Tumbler/Drive Motor	1 hp (0.75 kW)		
Blower/Fan Motor	7-1/2 hp (5.59 kW)		
Door Opening (Diameter)	31-3/8" (79.69 cm)		
Door Sill Height	33-3/8" (84.77 cm)		
S.A.F.E. Water Connection	North America 3/4" F.N.P.T. (11.5 N.H.) Outside North America 3/4" B.S.P.T.		
Dryers per 20'/40' Container	3 / 7		
Dryers per 48'/53' Truck	8 / 9		
Width	55-7/8" (149.5 cm)		
Depth	62-1/2" (158.7 cm)		
Gas	Voltage Available	208-575V 3ø 3,4w 50/60 Hz	
	Approximate Net Weight	2,103 lb (953.90 kg)	
	Approximate Shipping Weight	2,269 lb (1,029.20 kg)	
	Airflow	60 Hz 3,700 cfm (104.77 cmm) 50 Hz 3,700 cfm (104.77 cmm)	
	Heat Input	550,000 Btu/hr (138,598 kcal/hr)	
	Exhaust Connection (Diameter)	18" (45.72 cm)	
	Compressed Air Connection	1/4" Quick Connection	
	Compressed Air Volume	4.25 cfh (0.12 cmh)	
	Inlet Pipe Connection	1-1/2" F.N.P.T. 1-1/2" F.B.S.P.T. (CE and Australia Only)	
	Electric	Voltage Available	380-480V 3ø 3,4w 50/60 Hz
Approximate Net Weight		2,103 lb (953.90 kg)	
Approximate Shipping Weight		2,269 lb (1,029.20 kg)	
Airflow		60 Hz 3,700 cfm (104.77 cmm) 50 Hz 3,700 cfm (104.77 cmm)	
Exhaust Connection (Diameter)		18" (45.72 cm)	
Compressed Air Connection		1/4" Quick Connection	
Compressed Air Volume		4.25 cfh 0.12 cmh	
Oven Size			
kW		Btu/hr	kcal/hr
126		429,900	108,300
Steam	Voltage Available	208-480V 3ø 3,4w 50/60 Hz	
	Approximate Net Weight	2,259 lb (1,024.67 kg)	
	Approximate Shipping Weight	2,425 lb (1,099.96 kg)	
	Airflow	60 Hz 4,400 cfm (124.59 cmm) 50 Hz 4,400 cfm (124.59 cmm)	
	Steam Consumption	520 lb/hr (236 kg/hr)	
	Operating Steam Pressure	125 psi max (8.62 bar)	
	Exhaust Connection (Diameter)	20" (50.80 cm)	
	Compressed Air Connection**	1/8" N.P.T.	
	Compressed Air Volume **	5.00 cfh (0.14 cmh)	
	Boiler HP (Normal Load)	14.5 Bhp	
Standard Supply Connections †	(1) 1-1/2" M.N.P.T.		
Standard Return Connections †	(1) 1-1/2" M.N.P.T.		

Specifications in parentheses are metric equivalents.

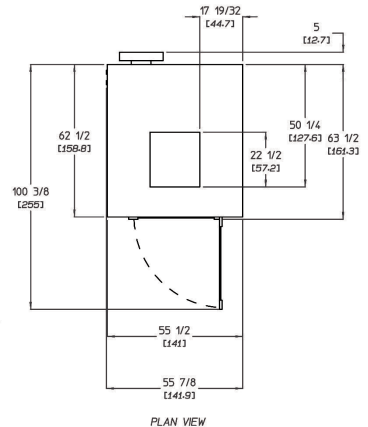
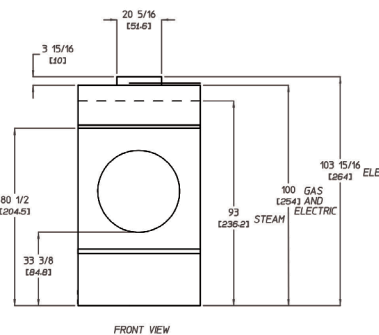
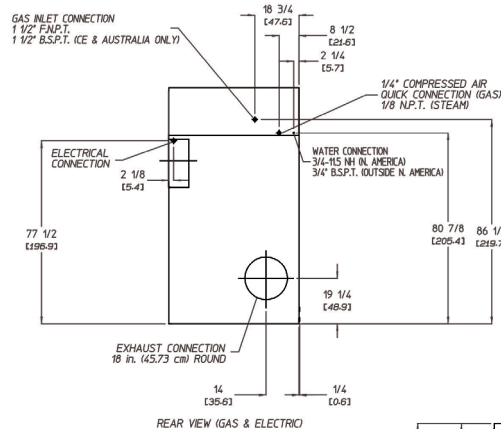
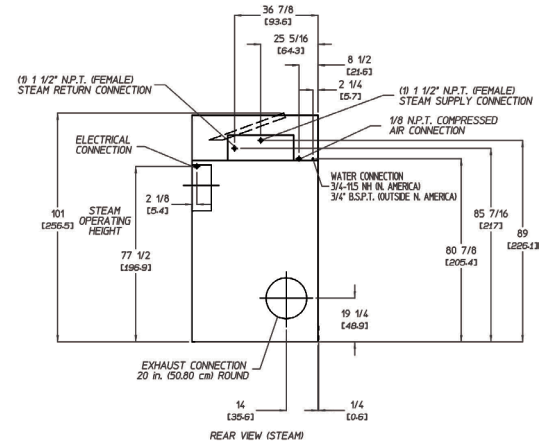
01/16/15

IMPORTANT: Dryer requires a clean, dry and regulated

80 PSI +/- 10 PSI (5.51 bar +/- 0.68 bar) air supply.

** Compressed air is not required with optional steam solenoid valve.

† **Optional Steam Coil Connection Differ. Refer to Installation Manual.**



Electrical Service Specifications					
SERVICE VOLTAGE	PHASE	WIRE SERVICE	APPROX AMP DRAW		CIRCUIT BREAKER
			60 Hz	50 Hz	
126 kW (Nominal) Electric					
380	3ø	4*	105	176	250
416	3ø	4*	--	191	250
440	3ø	3	152	--	200
460	3ø	3	159	--	200
480	3ø	3	166	--	225
575	3ø	3	102	--	150

Electrical Service Specifications					
SERVICE VOLTAGE	PHASE	WIRE SERVICE	APPROX AMP DRAW		CIRCUIT BREAKER
			60 Hz	50 Hz	
GAS & STEAM					
208	3ø	3	29	--	40
220	3ø	3	28	28	40
230	3ø	3	27	32	40
240	3ø	3	27	--	40
380	3ø	3	17	17	30
400	3ø	4*	--	17	30
416	3ø	4*	--	16	20
440	3ø	3	15	--	20
460	3ø	3	14	--	20
480	3ø	3	14	--	20
575	3ø	3	18	--	30



QY160014 1/17

88 Currant Road, Fall River, MA 02720-4781 • 508.678.9000

www.adclaundry.com